

**RL 430**

**RL 430 S**

**RL 480**

CHASSIS  
MANICO  
COMANDI  
DOTAZIONE VITERIE

DECK  
HANDLE  
CONTROLS  
SCREWS OUTFITS

CHÂSSIS  
MANCHERON  
COMMANDES  
DOTATION VISSERIE

GEHÄUSE  
HOLM  
BETÄTIGUNGEN  
SCHRAUBENSATZ

SPARE PARTS CATALOGUE

GB

ERSATZTEILKATALOG

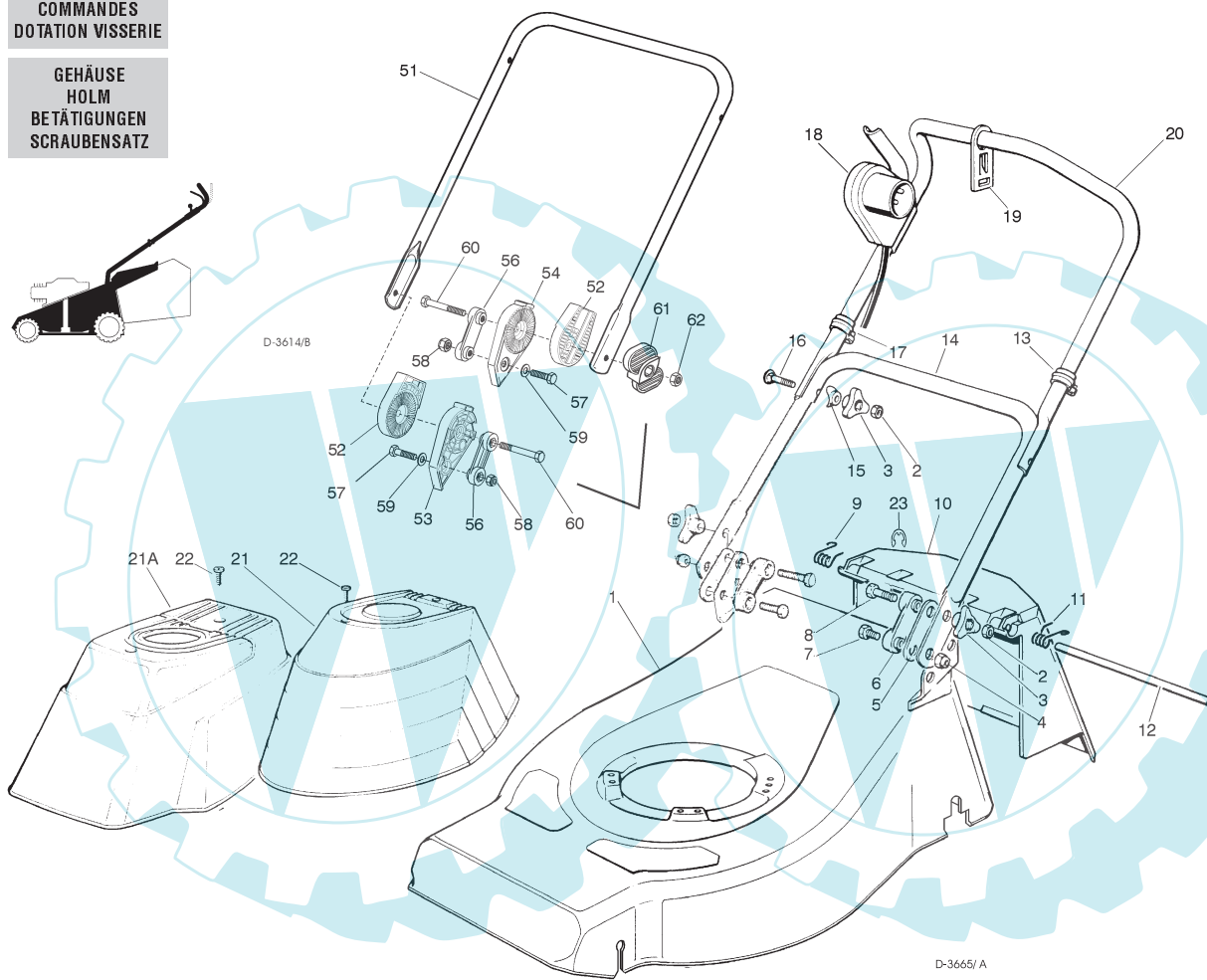
D

CATALOGO DELLE PARTI  
DI RICAMBIO

I

CATALOGUE DES PIÈCES  
DE RECHANGE

F



T3665/ A

| Pos. Nr. | Codice Code Kodex | Q.tà Q.ty-Q.tè Menge | Descrizione       | Description    | Description       | Beschreibung  |
|----------|-------------------|----------------------|-------------------|----------------|-------------------|---------------|
| 1        |                   |                      | CHASSIS           | DECK           | CHÂSSIS           | GEHÄUSE       |
| —        | 81001026/ 0       | 1                    | ROSSO RL 430      | RED RL 430     | ROUGE RL 430      | ROTES RL 430  |
| —        | 81001009/ 0       | 1                    | GIALLO RL 430     | YELLOW RL 430  | JAUNE RL 430      | GELBES RL 430 |
| —        | 81001515/ 0       | 1                    | VERDE RL 430      | GREEN RL 430   | VERT RL 430       | GRÜNES RL 430 |
| —        | 81001028/ 0       | 1                    | ROSSO RL 480      | RED RL 480     | ROUGE RL 480      | ROTES RL 480  |
| —        | 81001011/ 0       | 1                    | GIALLO RL 480     | YELLOW RL 480  | JAUNE RL 480      | GELBES RL 480 |
| —        | 81001516/ 0       | 1                    | VERDE RL 480      | GREEN RL 480   | VERT RL 480       | GRÜNES RL 480 |
| 2        | 12293200/ 0       | 4                    | DADO              | NUT            | ECROU             | MUTTER        |
| 3        | 22399900/ 0       | 4                    | MANOPOLINA        | KNOB           | POIGNÉE           | GRIF          |
| 4        | 12155000/ 0       | 2                    | DADO              | NUT            | ECROU             | MUTTER        |
| 5        | 22551574/ 0       | 2                    | PIASTRINA ESTERNA | OUTSIDE PLAQUE | PLAQUETTE EXTERNE | INNERE PLATTE |
| 6        | 22551575/ 0       | 2                    | PIASTRINA INTERNA | INSIDE PLAQUE  | PLAQUETTE INTERNE | INNERE PLATTE |
| 7        | 12793300/ 0       | 2                    | VITE              | SCREW          | VIS               | SCHRAUBE      |
| 8        | 12691115/ 0       | 2                    | VITE              | SCREW          | VIS               | SCHRAUBE      |
| 9        | 22450410/ 1       | 1                    | MOLLA DX          | RIGHT SPRING   | RESSORT DROITE    | RECHTE FEDER  |
| 10       | 22600028/ 4       | 1                    | PARASASSI         | STONE-GUARD    | PAIRE-PIERRES     | PRALLBLECH    |

| Pos. Nr. | Codice Code Kodex | Q.tà Q.ty-Q.tè Menge | Descrizione                     | Description                     | Description                     | Beschreibung                    |
|----------|-------------------|----------------------|---------------------------------|---------------------------------|---------------------------------|---------------------------------|
| 11       | 22450420/ 1       | 1                    | MOLLA SX                        | LEFT SPRING                     | RESSORT GAUCHE                  | LINKE FEDER                     |
| 12       | 22517906/ 1       | 1                    | PERNO                           | PIN                             | PIVOT                           | BOLZEN                          |
| 13       | 22192151/ 0       | 1                    | FERMACAVO                       | FAIR LEAD                       | FIXATION CABLE                  | KABELBEFESTIGUNG                |
| 14       | 81006512/ 0       | 1                    | PARTE INF. MANICO               | LOWER HANDLE                    | PARTIE INF. MANCHERON           | UNTERHOLM                       |
| 15       | 22680006/ 1       | 2                    | RONDELLA                        | WASHER                          | RONDELLE                        | SCHEIBE                         |
| 16       | 12819201/ 0       | 2                    | VITE                            | SCREW                           | VIS                             | SCHRAUBE                        |
| 17       | 22192000/ 1       | 1                    | FASCETTA ANCORAGGIO             | ANCHOR CLAMP                    | COLLIER ANCRAGE                 | BOWDENZUGHALTER                 |
| 18       |                   |                      | SALVAMOTORE M.M.                | DEAD HAND SWITCH                | INT. MAIN MORTE                 | TOT MANSCHALTER                 |
| —        | 18710562/ 0       | 1                    | 8,5 A 602 MS (1300W IBMEI/ RST) | 8,5 A 602 MS (1300W IBMEI/ RST) | 8,5 A 602 MS (1300W IBMEI/ RST) | 8,5 A 602 MS (1300W IBMEI/ RST) |
| —        | 18710563/ 0       | 1                    | 8,5 A 603 MS (1300W IBMEI/ RST) | 8,5 A 603 MS (1300W IBMEI/ RST) | 8,5 A 603 MS (1300W IBMEI/ RST) | 8,5 A 603 MS (1300W IBMEI/ RST) |
| —        |                   | 1                    | SOLO PER SVIZZERA               | ONLY FOR SWITZERLAND            | SEULEMENT POUR LA SUISSE        | NUR FÜR SCHWEIZ                 |
| —        | 18710624/ 1       | 1                    | 8,5 A 607 MS (1300W IBMEI)      | 8,5 A 607 MS (1300W IBMEI)      | 8,5 A 607 MS (1300W IBMEI)      | 8,5 A 607 MS (1300W IBMEI)      |
| —        | 18710604/ 0       | 1                    | 10 A 602 MS (1600W IBMEI/ RST)  | 10 A 602 MS (1600W IBMEI/ RST)  | 10 A 602 MS (1600W IBMEI/ RST)  | 10 A 602 MS (1600W IBMEI/ RST)  |
| —        | 18710572/ 0       | 1                    | 10 A 603 MS (1600W IBMEI/ RST)  | 10 A 603 MS (1600W IBMEI/ RST)  | 10 A 603 MS (1600W IBMEI/ RST)  | 10 A 603 MS (1600W IBMEI/ RST)  |
| —        |                   | 1                    | SOLO PER SVIZZERA               | ONLY FOR SWITZERLAND            | SEULEMENT POUR LA SUISSE        | NUR FÜR SCHWEIZ                 |
| —        | 18710628/ 0       | 1                    | 10 A 607 MS (1600W IBMEI)       | 10 A 607 MS (1600W IBMEI)       | 10 A 607 MS (1600W IBMEI)       | 10 A 607 MS (1600W IBMEI)       |
| 19       | 22195101/ 0       | 1                    | FERMACAVO                       | FAIR LEAD                       | FIXATION CABLE                  | KABELBEFESTIGUNG                |
| 20       | 81007017/ 1       | 1                    | PARTE SUP. MANICO               | UPPER HANDLE                    | PARTIE SUP. MANCHERON           | OBERHOLM                        |
| 21       | 81002057/ 0       | 1                    | ASSIEME CAPOTTINA               | COVER ASS.Y                     | ENS. CAPOT                      | KOMPLETTE HAUBE                 |
| 21A      | 81002059/ 0       | 1                    | ASSIEME CAPOTTINA               | COVER ASS.Y                     | ENS. CAPOT                      | KOMPLETTE HAUBE                 |
| 22       | 12728680/ 0       | 2                    | VITE                            | SCREW                           | VIS                             | SCHRAUBE                        |
| 23       | 12000930/ 0       | 1                    | ANELLO ELASTICO                 | SNAP RING                       | ANNEAU RESSORT                  | SPRENGRING                      |
| —        | 81008596/ 1       | 1                    | DOTAZ. VITERIA                  | SCREWS OUTFIT                   | DOTATION VISSERIE               | SCHRAUBEN SATZ                  |

T-3614/B

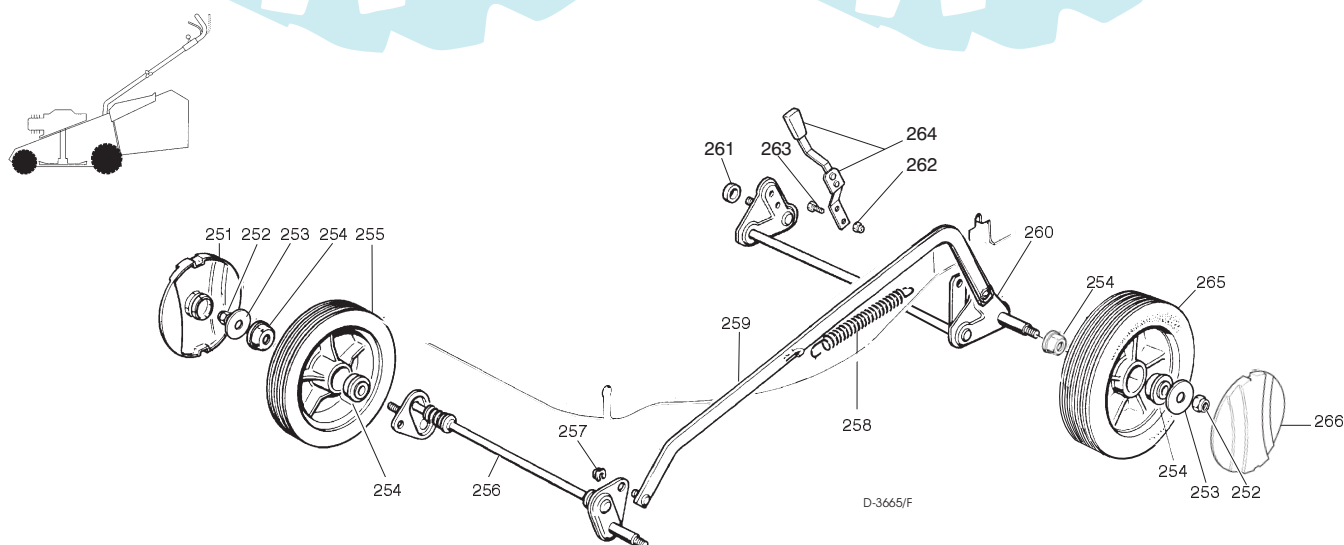
|    |             | VARIANTE REGOLAZIONE MANICO | HANDLE ADJUSTMENT VARIANT | VARIANTE REGLAGE POIGNEE | GRIFFEINSTELLVARIANTE  |                         |
|----|-------------|-----------------------------|---------------------------|--------------------------|------------------------|-------------------------|
| 51 | 81006510/ 0 | 1                           | PARTE INFR. MANICO        | LOWER HANDLE             | PARTIE INF. MANCHERON  | UNTERHOLM               |
| 52 | 22785081/ 0 | 2                           | SUPPORTO ESTERNO          | EXTERNAL SUPPORT         | SUPPORT EXTERNE        | AUßERE HALTERUNG        |
| 53 | 22785082/ 0 | 1                           | SUPPORTO INTERNO DX       | R. INTERNAL SUPPORT      | SUPPORT INTERNE DROIT  | INNERE HALTERUNG RECHTS |
| 54 | 22785083/ 1 | 1                           | SUPPORTO INTERNO SX       | L. INTERNAL SUPPORT      | SUPPORT INTERNE GAUCHE | INNERE HALTERUNG LINKS  |
| 56 | 22551575/ 0 | 2                           | PIASTRINA INTERNA         | INSIDE PLAQUE            | PLAQUETTE INTERNE      | INNERE PLATTE           |
| 57 | 12793701/ 0 | 2                           | VITE                      | SCREW                    | VIS                    | SCHRAUBE                |
| 58 | 12155000/ 0 | 2                           | DADO                      | NUT                      | ECROU                  | MUTTER                  |
| 59 | 12521350/ 0 | 2                           | RONDELLA                  | WASHER                   | RONDELLE               | SCHEIBE                 |
| 60 | 12691810/ 0 | 2                           | VITE                      | SCREW                    | VIS                    | SCHRAUBE                |
| 61 | 22399803/ 0 | 2                           | MANOPOLINA                | KNOB                     | POIGNÉE                | GRIFF                   |
| 62 | 12293202/ 0 | 2                           | DADO                      | NUT                      | ECROU                  | MUTTER                  |
| —  | 81008622/ 0 | 1                           | DOTAZ. VITERIA            | SCREWS OUTFIT            | DOTATION VISSERIE      | SCHRAUBEN SATZ          |

## RUOTE E REGOLAZIONE




## WHEELS AND HEIGHT ADJUSTING

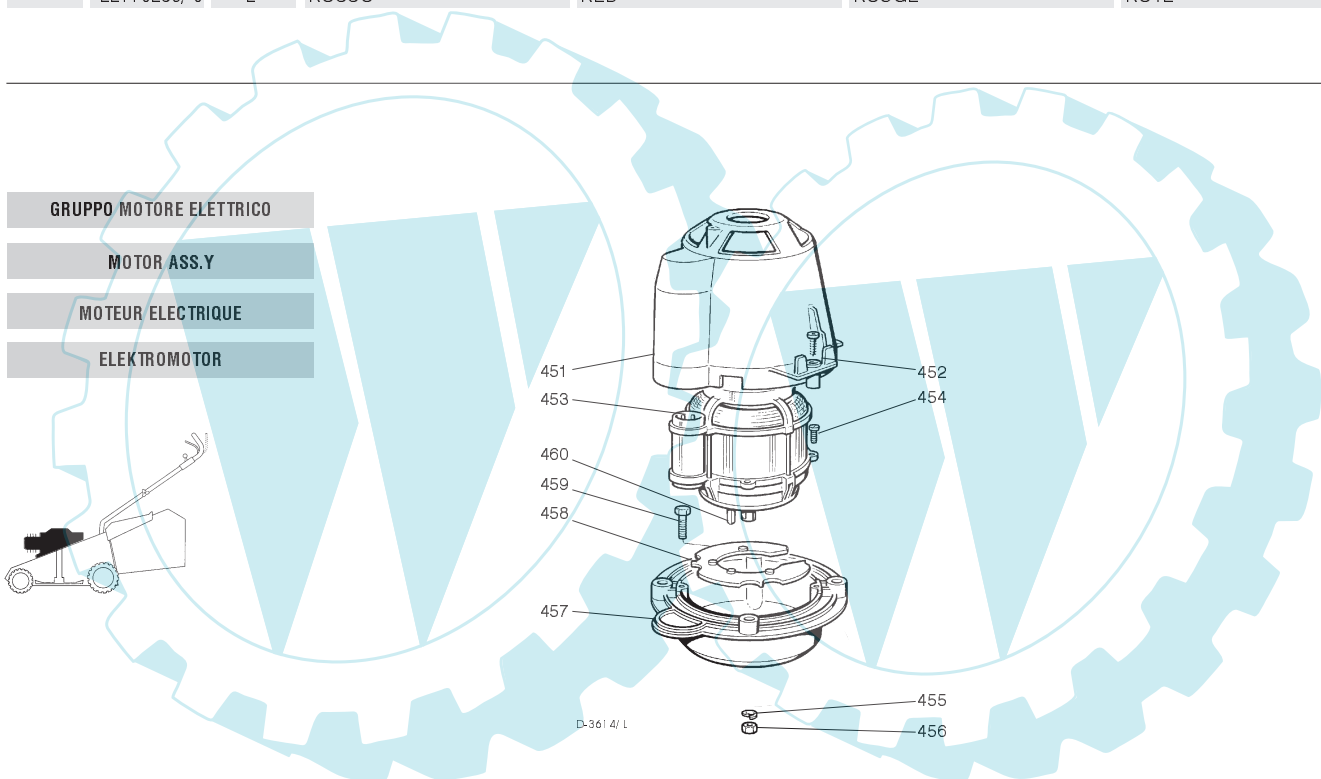
## ROUES ET REGLAGE HAUTER DE COUPE

## RÄDER UND SCHNITTHÖHEVERSTELLUNG


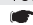



T-3665/ F

| Pos. Nr. | Codice Code Kodex   | Q.tà Q.ty-Q.tè Menge | Descrizione            | Description              | Description            | Beschreibung          |
|----------|---|----------------------|------------------------|--------------------------|------------------------|-----------------------|
| 251      |  |                      | COPRIMOZZO             | HUB CAP                  | COUVRE-MOYEU           | RADKAPPE              |
| —        | 22110252/ 0   | 2                    | BIANCO                 | WHITE                    | BLANC                  | WEIßE                 |
| —        | 22110254/ 0   | 2                    | GIALLO                 | YELLOW                   | JAUNE                  | GELB                  |
| —        | 22110255/ 0   | 2                    | ROSSO                  | RED                      | ROUGE                  | ROTE                  |
| 252      | 12155000/ 0   | 2                    | DADO                   | NUT                      | ECROU                  | MÜTTER                |
| 253      | 12523060/ 0   | 2                    | RONDELLA               | WASHER                   | RONDELLE               | SCHEIBE               |
| 254      | 22034508/ 0   | 4                    | BOCCOLA                | BUSH                     | DOUILLE                | BÜCHSE                |
| 255      | 81007326/ 0   | 2                    | RUOTA Ø 170            | WHEEL Ø 170              | ROUE Ø 170             | RAD Ø 170             |
| 256      | 81001248/ 0   | 1                    | ASSE RUOTE ANT. RL 430 | FRONT WHEELS AXLE RL 430 | AXE ROUES AVANT RL 430 | VORDERRADACHSE RL 430 |
| —        | 81001250/ 0   | 1                    | ASSE RUOTE ANT. RL 480 | FRONT WHEELS AXLE RL 480 | AXE ROUES AVANT RL 480 | VORDERRADACHSE RL 480 |
| 257      | 12436050/ 0   | 2                    | PIASTRINA              | PLATE                    | PLAQUETTE              | PLATTE                |
| 258      | 22446180/ 0   | 1                    | MOLLA                  | SPRING                   | RESSORT                | FEDER                 |
| 259      |  |                      | ASTA COMANDO           | ROD ADJUSTMENT           | TIGE COMMANDE          | STELLSTAB             |
| —        | 81001244/ 0   | 1                    | RL 430                 | RL 430                   | RL 430                 | RL 430                |
| —        | 81001246/ 1   | 1                    | RL 480                 | RL 480                   | RL 480                 | RL 480                |
| 260      | 81001254/ 0   | 1                    | ASSE RUOTE POST.       | REAR WHEELS AXLE         | AXE ROUES ARRIERE      | HINTERRADACHSE        |
| 261      | 22170800/ 0   | 1                    | DISTANZIALE            | SPACER                   | ENTRETOISE             | DISTANZRING           |
| 262      | 12154320/ 0   | 2                    | DADO                   | NUT                      | ECROU                  | MÜTTER                |
| 263      | 12789000/ 0   | 2                    | VITE                   | SCREW                    | VIS                    | SCHRAUBE              |
| 264      | 81003279/ 1   | 1                    | LEVA REGOLAZIONE       | ADJUSTMENT LEVER         | LEVIER REGLAGE         | VERS TELLUNGHEBEL     |
| 265      | 81007328/ 0   | 2                    | RUOTA Ø 210            | WHEEL Ø 210              | ROUE Ø 210             | RAD Ø 210             |
| 266      |  |                      | COPRIMOZZO             | HUB CAP                  | COUVRE-MOYEU           | RADKAPPE              |
| —        | 22110251/ 0   | 2                    | BIANCO                 | WHITE                    | BLANC                  | WEIßE                 |
| —        | 22110253/ 0   | 2                    | GIALLO                 | YELLOW                   | JAUNE                  | GELBE                 |
| —        | 22110256/ 0   | 2                    | ROSSO                  | RED                      | ROUGE                  | ROTE                  |

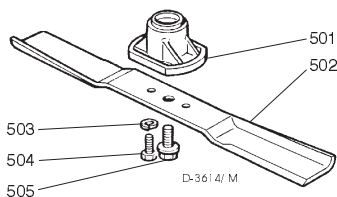
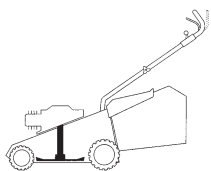


T-3614/ L

|      |   |   |                      |                      |                      |                      |
|------|---|---|----------------------|----------------------|----------------------|----------------------|
| 451  | 22785061/ 0   | 1 | SUPPORTO CAPOTTINA   | COVER SUPPORT        | SUPPORT CAPOT        | HAUBEHALTER          |
| 452  | 12728710/ 0   | 4 | VITE                 | SCREW                | VIS                  | SCHRAUBE             |
| 453  |  |   | MOTORE               | MOTOR                | MOTEUR               | MOTOR                |
| —    | 18563068/ 1   | 1 | IBMEI 1300W (230V)   | IBMEI 1300W (230V)   | IBMEI 1300W (230V)   | IBMEI 1300W (230V)   |
| —    | 18563008/ 0   | 1 | RST 1300W (220-230V) | RST 1300W (220-230V) | RST 1300W (220-230V) | RST 1300W (220-230V) |
| —    | 18563069/ 1   | 1 | IBMEI 1300W (240V)   | IBMEI 1300W (240V)   | IBMEI 1300W (240V)   | IBMEI 1300W (240V)   |
| —    | 18563061/ 2   | 1 | IBMEI 1600W (230V)   | IBMEI 1600W (230V)   | IBMEI 1600W (230V)   | IBMEI 1600W (230V)   |
| —    | 18563009/ 0   | 1 | RST 1600W (230V)     | RST 1600W (230V)     | RST 1600W (230V)     | RST 1600W (230V)     |
| —    | 18563047/ 2   | 1 | IBMEI 1600W (240V)   | IBMEI 1600W (240V)   | IBMEI 1600W (240V)   | IBMEI 1600W (240V)   |
| 453A |  |   | VENTOLA              | FAN                  | VENTILATEUR          | LÜFTER               |
| —    | 18740049/ 0   | 1 | PER MOTORE IBMEI     | IBMEI MOTOR          | MOTEUR IBMEI         | IBMEI MOTOR          |
| —    | 18740051/ 0   | 1 | PER MOTORE RST       | RST MOTOR            | MOTEUR RST           | RST MOTOR            |
| 453B |  |   | CONDENSATORE         | CONDENSER            | CONDENSEUR           | KONDENSATOR          |
| —    | 18222037/ 0   | 1 | 16 µF                | 16 µF                | 16 µF                | 16 µF                |
| —    | 18222038/ 0   | 1 | 20 µF                | 20 µF                | 20 µF                | 20 µF                |
| 454  | 12735410/ 0   | 4 | VITE                 | SCREW                | VIS                  | SCHRAUBE             |
| 455  | 12583500/ 0   | 4 | GROWER               | GROWER               | GROWER               | FEDERRING            |
| 456  | 12293200/ 0   | 4 | DADO                 | NUT                  | ECROU                | MÜTTER               |
| 457  | 22207211/ 3   | 1 | FLANGIA              | FLANGE               | BRIDE                | FLANSCH              |
| 458  | 22720360/ 1   | 1 | SCHERMO VENTILAZIONE | VENTILATION SCREEN   | ECRAN VENTILATION    | LÜFTUNGSSCHIRM       |
| 459  | 12793700/ 0   | 4 | VITE                 | SCREW                | VIS                  | SCHRAUBE             |
| 460  | 12139440/ 0   | 1 | LINGUETTA            | FEATHER              | CLAVETTE             | KEIL                 |

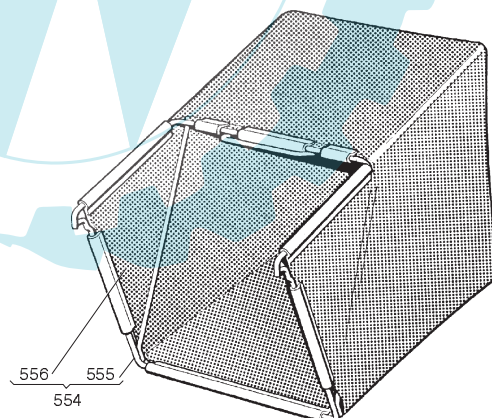
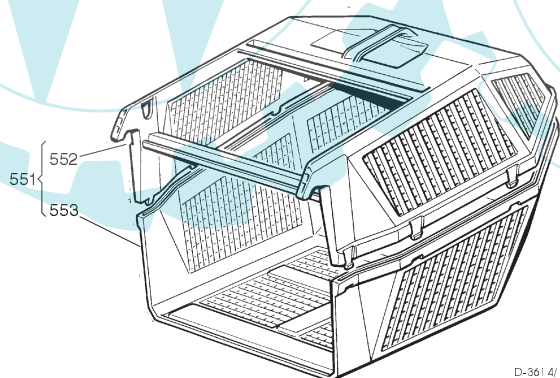
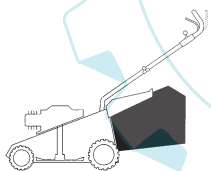
| Pos. Nr. | Codice Code Kodex | Q.tà Q.ty-Q.tè Menge | Descrizione | Description | Description | Beschreibung |
|----------|-------------------|----------------------|-------------|-------------|-------------|--------------|
|----------|-------------------|----------------------|-------------|-------------|-------------|--------------|

- GRUPPO COLTELLO
- BLADE ASS.Y
- GROUPE LAME
- MESSERSATZ



| T-3661/ M | 501 | 22463186/ 2 | 1 | MOZZO           | HUB             | MOYEU           | NABE            |
|-----------|-----|-------------|---|-----------------|-----------------|-----------------|-----------------|
|           | 502 | COLTELLO    |   | COLTELLO        | BLADE           | LAME            | MESSER          |
|           | —   | 81004341/ 2 | 1 | STANDARD 41 cm. | STANDARD 41 cm. | STANDARD 41 cm. | STANDARD 41 cm. |
|           | —   | 81004396/ 0 | 1 | ALETTATO 41 cm. | WINGED 41 cm.   | AILETTÉE 41 cm. | FLÜGEL 41 cm.   |
|           | —   | 81004346/ 2 | 1 | STANDARD 46 cm. | STANDARD 46 cm. | STANDARD 46 cm. | STANDARD 46 cm. |
|           | —   | 81004397/ 0 | 1 | ALETTATO 46 cm. | WINGED 46 cm.   | AILETTÉE 46 cm. | FLÜGEL 46 cm.   |
|           | 503 | 12583500/ 0 | 2 | GROWER          | GROWER          | GROWER          | FEDERRING       |
|           | 504 | 12793101/ 0 | 2 | VITE            | SCREW           | VIS             | SCHRAUBE        |
|           | 505 | 81004352/ 0 | 1 | VITE            | SCREW           | VIS             | SCHRAUBE        |

- SACCO RACCOGLIERBA
- GRASS-CATCHER
- BAC DE RAMASSAGE
- GRASFANGKORB



| T-3614/ N | 551 | 98005000/ 1 | 1 | SACCO COMPLETO     | COMPLETE GRASS-BOX   | SAC COMPLET           | KOMPLETTER KORB |
|-----------|-----|-------------|---|--------------------|----------------------|-----------------------|-----------------|
|           | 552 | 22486076/ 0 | 1 | PARTE SUP. SACCO   | UPPER GRASS BOX      | PARTIE SUP. SAC       | OBERKORB        |
|           | 553 | 22486077/ 0 | 1 | PARTE INF. SACCO   | LOWER GRASS BOX      | PARTIE INF. SAC       | UNTERKORB       |
|           | 554 | 98004000/ 0 | 1 | ASS. SACCO IN TELA | CANVASS GRASSCATCHER | ENSEMBLE SAC EN TOILE | KOMPLETTER SACK |
|           | 555 | 81006408/ 0 | 1 | TELAIO             | CHASSIS              | CHÂSSIS               | RAHMEN          |
|           | 556 | 81002105/ 2 | 1 | TELA SACCO         | FABRIC BOX           | TOILE POUR SAC        | TUCK FÜR SACK   |